

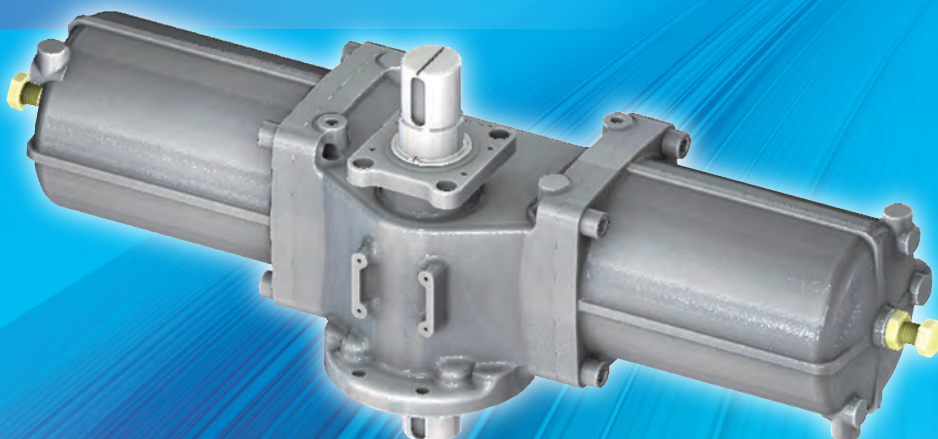
KONAN®

For operation of large-diameter valve

TW3 Rotary actuator

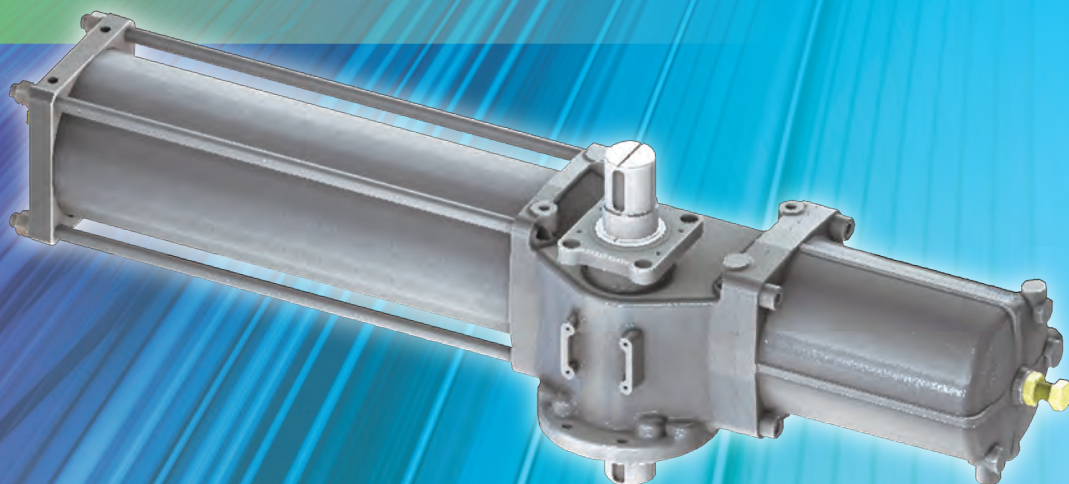
D

Double-Acting Type
Type



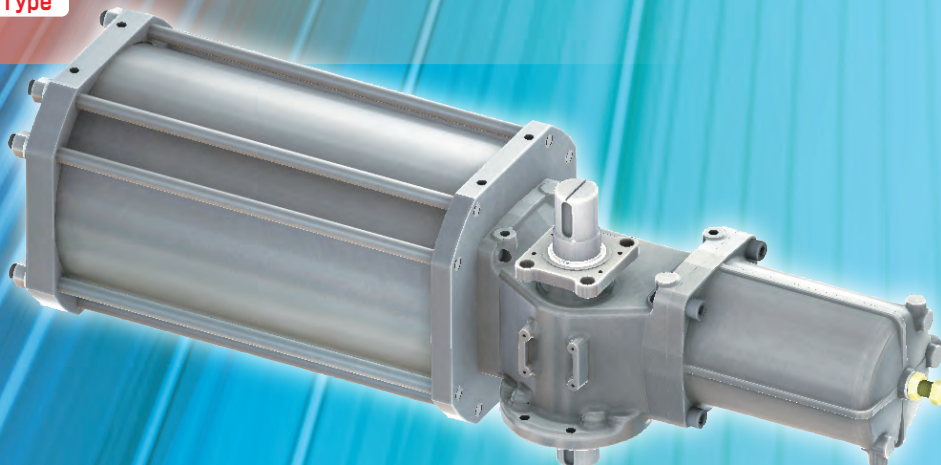
S

Single-Acting Type
Type



R

Single-Acting Type
Type



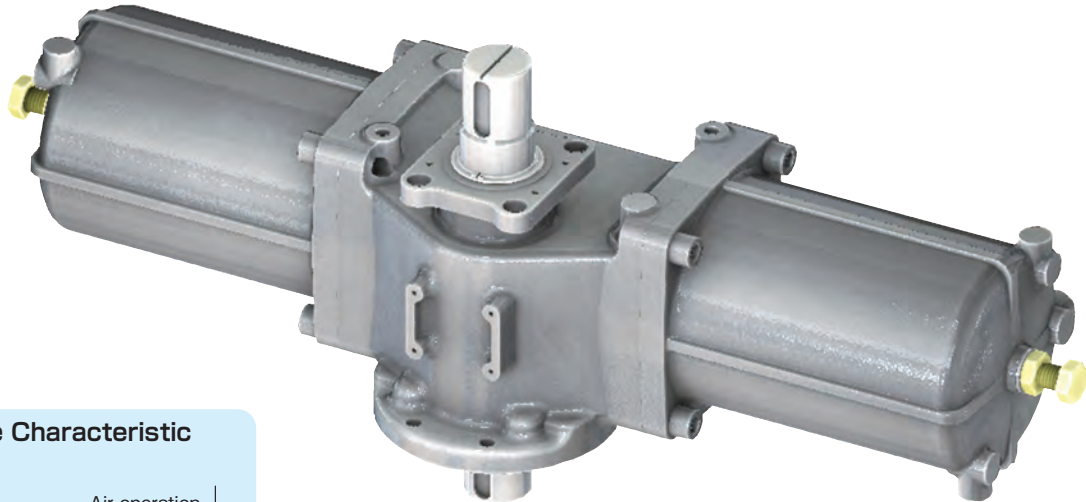
1

Double-Acting Type [Type D]

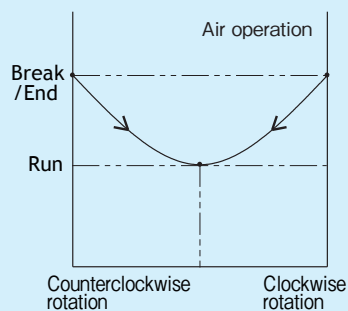
TW3 Rotary actuator

D Double-Acting Type
Type

Bore size $\phi 170$ 、 $\phi 200$ 、 $\phi 280$



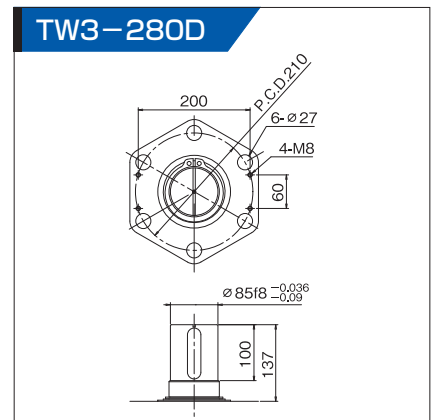
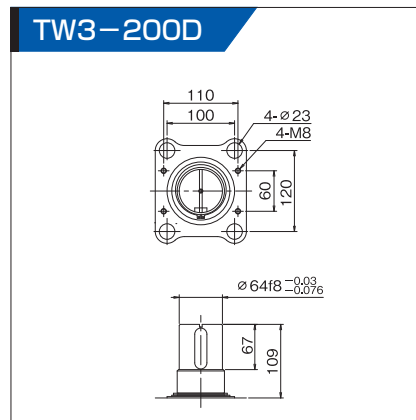
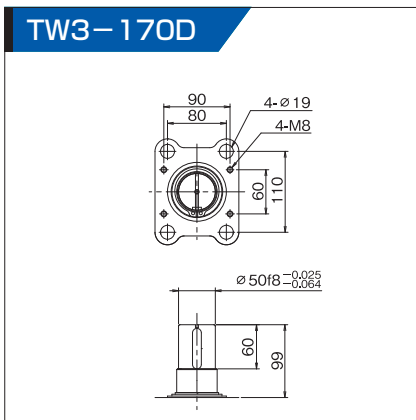
Torque Characteristic



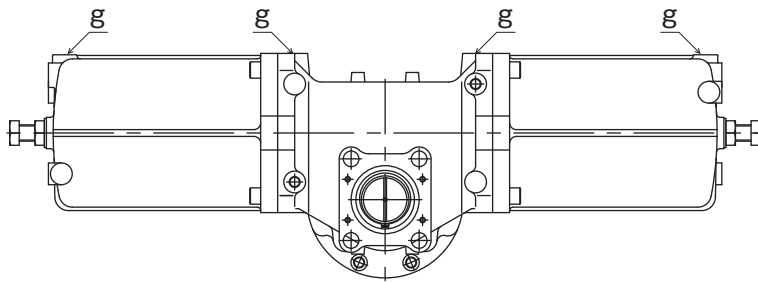
Specification

Model Code		TW3-170D-00			TW3-200D-00			TW3-280D-00		
Bore size [mm]		$\phi 170$			$\phi 200$			$\phi 280$		
Operating fluid		Compressed air								
Operating pressure		0.3~0.7MPa								
Proof pressure		1.05MPa								
Ambient temperature		-5~60°C (In case of 5°C or less, provide adequate measures against freezing.)								
Output torque	Supply pressure : 0.4MPa	Break	Run	End	Break	Run	End	Break	Run	End
		1685N·m	980N·m	1685N·m	3796N·m	2207N·m	3796N·m	9111N·m	5297N·m	9111N·m
Rotating angle		90°								
Angle adjustment range		$\pm 5^\circ$ both ends								
Mass		72kg			140kg			340kg		

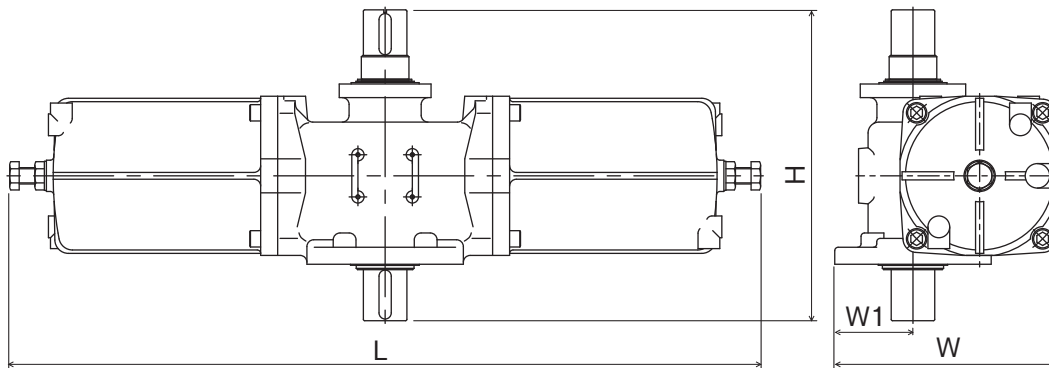
Switch box mounting interface



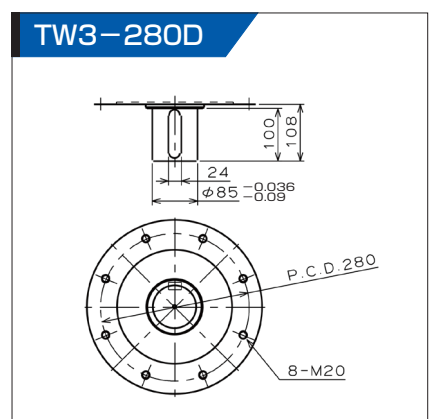
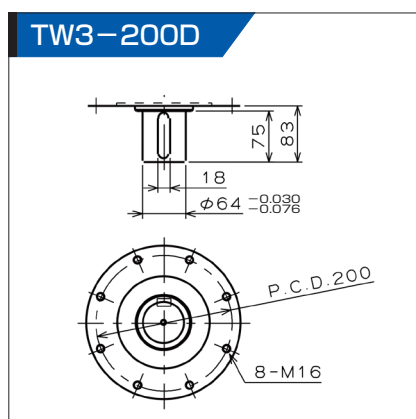
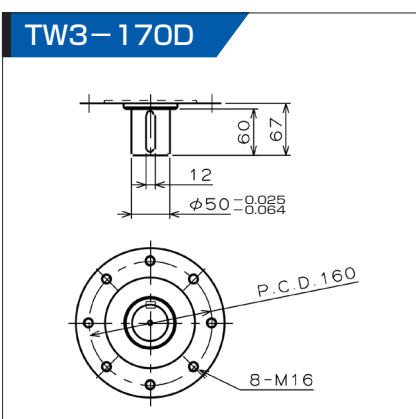
External Dimensions



Model	TW3-170D	TW3-200D	TW3-280D	
Size (Unit : mm)	L	780	1104	1482
	H	381	457	578
	W	256	330	451
	W1	98	115	167
	g	Rc3/8	Rc3/8	Rc1/2



Valve mounting interface



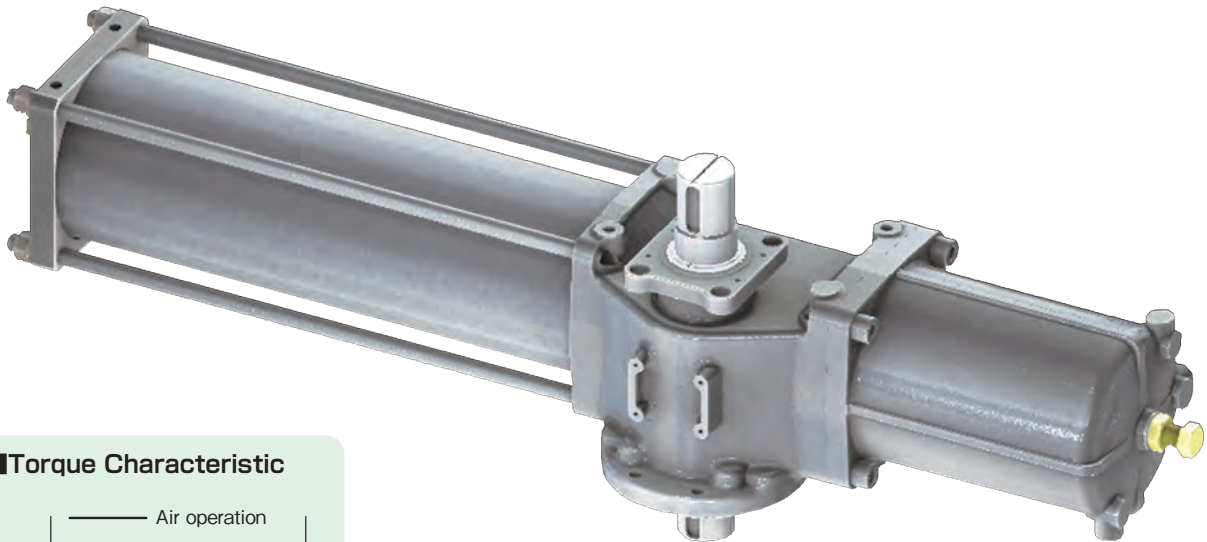
2

Single-Acting Type [Type S]

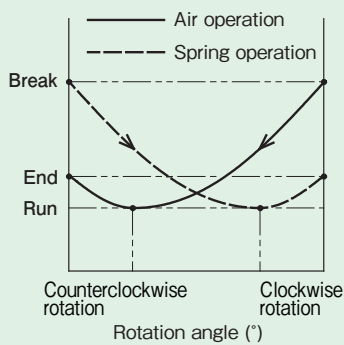
TW3 Rotary actuator

S Single-Acting Type
Type

Bore size $\phi 170$ 、 $\phi 200$ 、 $\phi 280$



Torque Characteristic

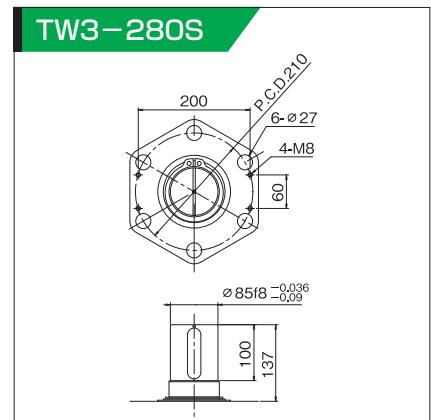
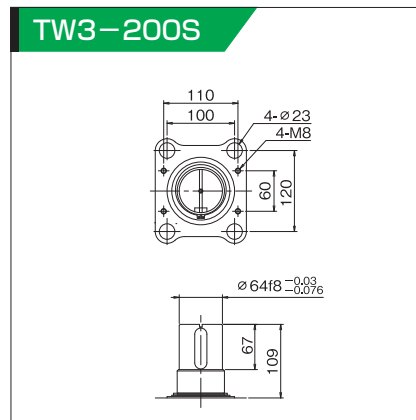
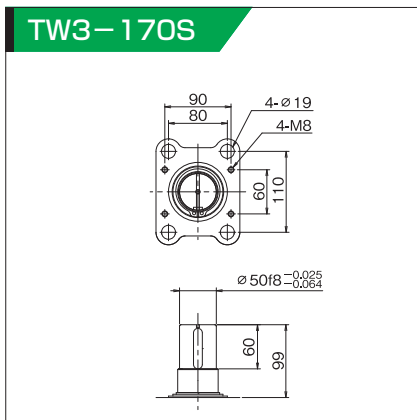


*A model with right and left backward operation can be manufactured.
*A model with manual handle can be manufactured.

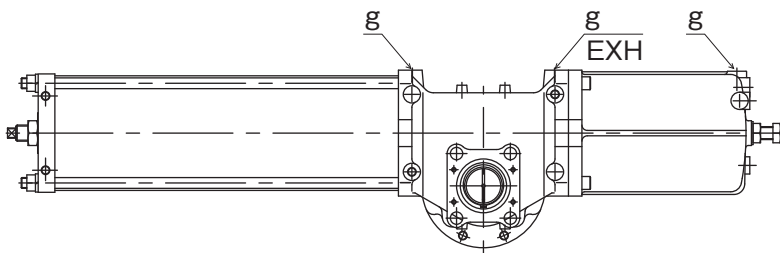
Specification

Model Code		TW3-170S-00			TW3-200S-00			TW3-280S-00		
Bore size [mm]		$\phi 170$			$\phi 200$			$\phi 280$		
Operating fluid		Compressed air								
Operating pressure		0.4~0.7MPa								
Proof pressure		1.05MPa								
Ambient temperature		-5~60°C (In case of 5°C or less, provide adequate measures against freezing.)								
Output torque	Air operation (Supply pressure : 0.4MPa)	Break	Run	End	Break	Run	End	Break	Run	End
	Spring operation	1095N·m	483N·m	638N·m	2578N·m	1073N·m	1330N·m	5965N·m	2612N·m	3426N·m
		Break	Run	End	Break	Run	End	Break	Run	End
		1093N·m	482N·m	636N·m	2569N·m	1063N·m	1312N·m	5931N·m	2592N·m	3392N·m
Rotating angle		90°								
Angle adjustment range		$\pm 5^\circ$ both ends								
Mass		105kg			190kg			505kg		

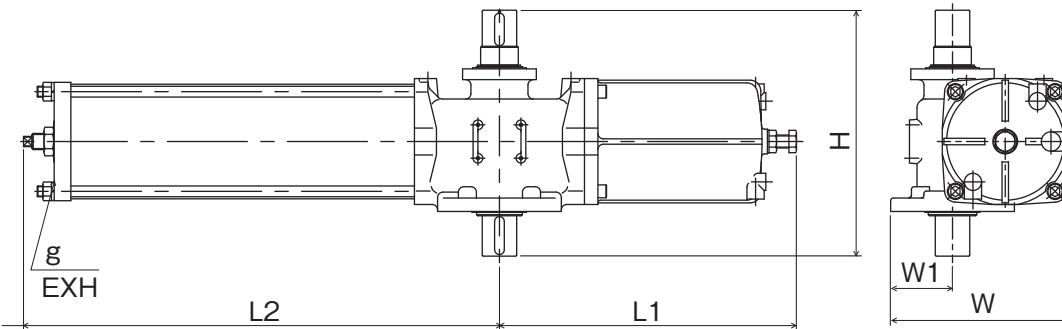
Switch box mounting interface



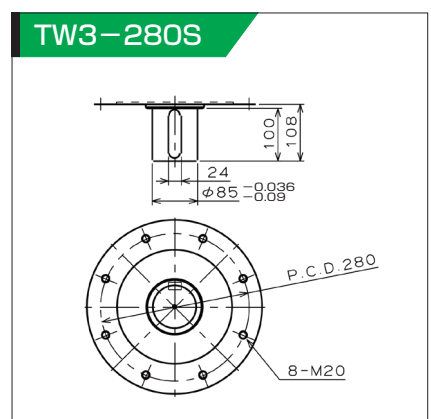
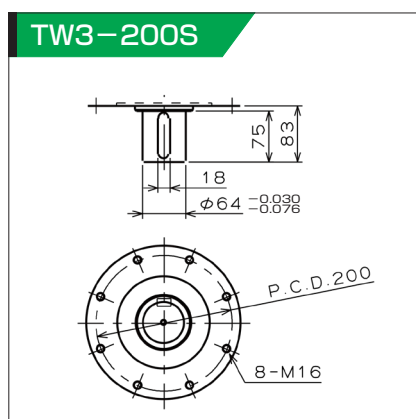
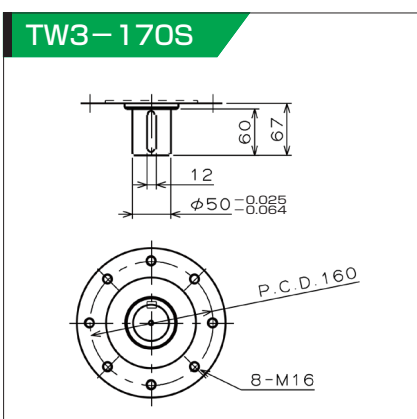
External Dimensions



Model	TW3-170S	TW3-200S	TW3-280S	
Size (Unit : mm)	L1	390	552	741
	L2	619	884.5	1169
	H	381	457	578
	W	256	330	451
	W1	98	115	167
g	Rc3/8	Rc3/8	Rc1/2	



Valve mounting interface



3

Single-Acting Type [Type R]

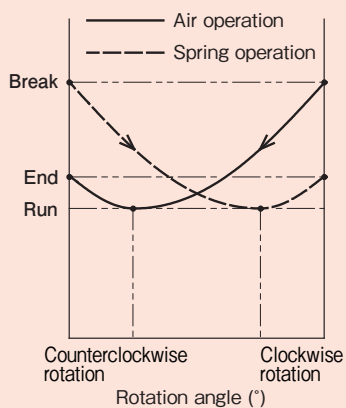
TW3 Rotary actuator

R Single-Acting Type
Type

Bore size $\phi 170$ 、 $\phi 200$ 、 $\phi 280$



Torque Characteristic

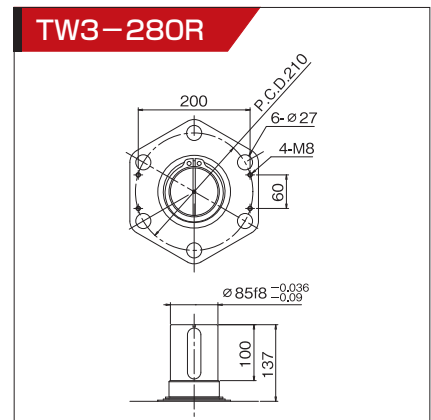
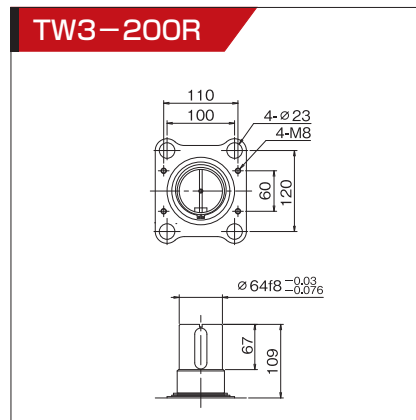
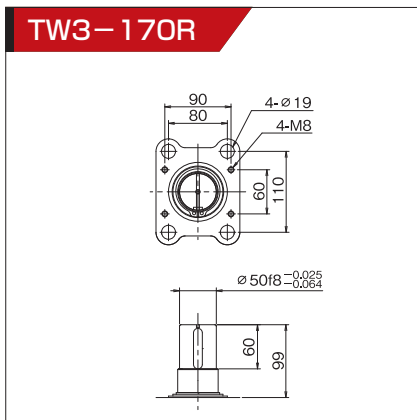


*A model with right and left backward operation can be manufactured.
*A model with manual handle can be manufactured.

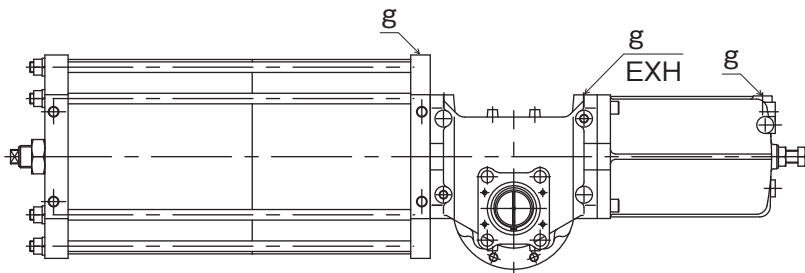
Specification

Model Code		TW3-170R-00			TW3-200R-00			TW3-280R-00		
Operating fluid		Compressed air								
Operating pressure		0.4~0.7MPa								
Proof pressure		1.05MPa								
Ambient temperature		-5~60°C (In case of 5°C or less, provide adequate measures against freezing.)								
Output torque	Air operation (Supply pressure : 0.4MPa)	Break 2181N·m	Run 1017N·m	End 1429N·m	Break 4822N·m	Run 2274N·m	End 3237N·m	Break 8426N·m	Run 4086N·m	End 5981N·m
	Spring operation	Break 2184N·m	Run 1018N·m	End 1432N·m	Break 4812N·m	Run 2268N·m	End 3227N·m	Break 8403N·m	Run 4072N·m	End 5958N·m
Rotating angle		90°								
Angle adjustment range		±5° both ends								
Mass		218kg			385kg			798kg		

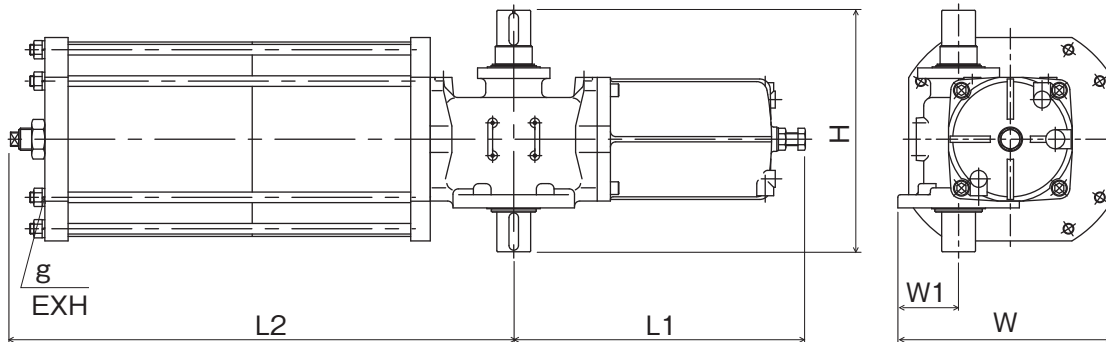
Switch box mounting interface



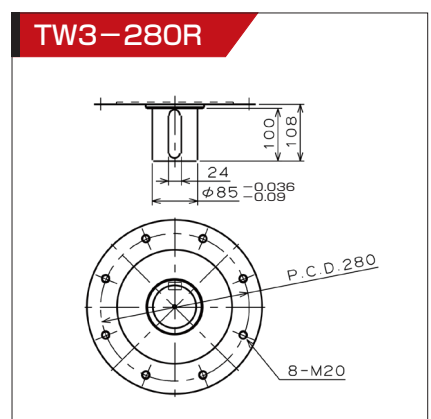
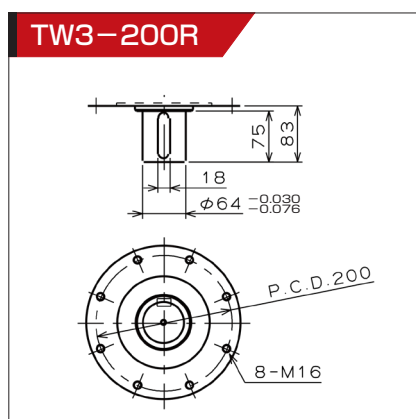
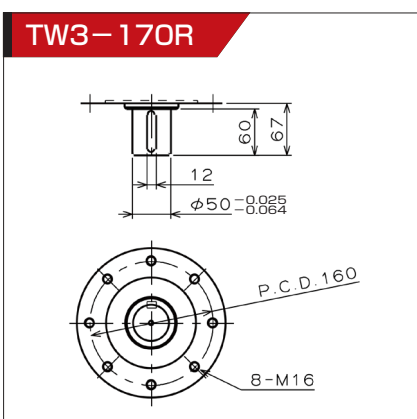
External Dimensions



Model	TW3-170R	TW3-200R	TW3-280R	
Size (Unit : mm)	L1	390	552	741
	L2	660	952.5	1313
	H	381	457	578
	W	335	405.5	504.5
	W1	107.5	115	167
	g	Rc3/8	Rc3/8	Rc1/2



Valve mounting interface



Common to all types

Model Code

When ordering, specify the model as follows.

TW3 - **①** - **②** - **00** - **③** **④**

• Cylinder size • Operation system • Upper key • Lower key

① Cylinder size	
φ 170	170
φ 200	200
φ 280	280

② Operation system	
Double-Acting Type	D
Single-Acting Type (Type S)	S
Single-Acting Type (Type R)	R

③ Upper key * TW3 (standard) is not equipped with a key. If a cylinder with a key is required, please place an order as shown below.			
With/Without key	Cylinder size	Parallel key size	Designation
Without key	φ 170, φ 200, φ 280	—	No entry
With key	φ 170	12×8×50L key with both round ends (JIS B 1301)	1
	φ 200	18×12×60L key with both round ends Old JIS (JIS B 1301-1959)	1
		18×11×60L key with both round ends New JIS (JIS B 1301-1996)	1N
φ 280	24×16×90L key with both round ends (JIS B 1301)	1	

④ Lower key			
With/Without key	Cylinder size	Parallel key size	Designation
Without key	φ 170, φ 200, φ 280	—	No entry
With key	φ 170	12×8×55L key with both round ends (JIS B 1301)	2
	φ 200	18×12×70L key with both round ends Old JIS (JIS B 1301-1959)	2
		18×11×70L key with both round ends New JIS (JIS B 1301-1996)	2N
	φ 280	24×16×98L key with both round ends (JIS B 1301)	2

KONAN ELECTRIC CO.,LTD.

Tokyo Branch

Shiba-Sanesu-Wakamatsu Bldg.7-8, Shiba 4-chome, Minatoku, Tokyo 108-0014, Japan
Phone : +81-3-3454-1711 Fax : +81-3-3454-8699

Osaka Branch

Hankyu Terminal Bldg.1-4, Shibata 1-chome, Kitaku, Osaka 530-0012, Japan
Phone : +81-6-6373-670 Fax : +81-6-6373-6740

Seibu Branch

Momiji Hiroshima Hikarimachi Bldg.12-20, Hikarimachi, 1-chome, Higashiku, Hiroshima,732-0052, Japan
Phone : +81-82-568-0071 Fax : +81-82-568-0072

International Operation Division

4-97, Uedahigashimachi, Nishinomiya, Hyogo, 663-8133, Japan
Phone : +81-798-48-5931 Fax : +81-798-40-6659



Tohoku office Phone : +81-22-215-1195
Chiba office Phone : +81-43-305-1401
Hokkaido office Phone : +81-11-792-7451
Nagoya office Phone : +81-52-581-6541
Kanazawa office Phone : +81-76-233-1411
Hiroshima office Phone : +81-848-63-0610
Takamatsu office Phone : +81-87-835-0411
Kitakyushu office Phone : +81-93-541-0281

Distributing Agent

URL=<http://www.konan-em.com/>

Please note that this catalog is subject to revision without notice.
 2018.07
 2018.07.1版(D1)-1刷-K